

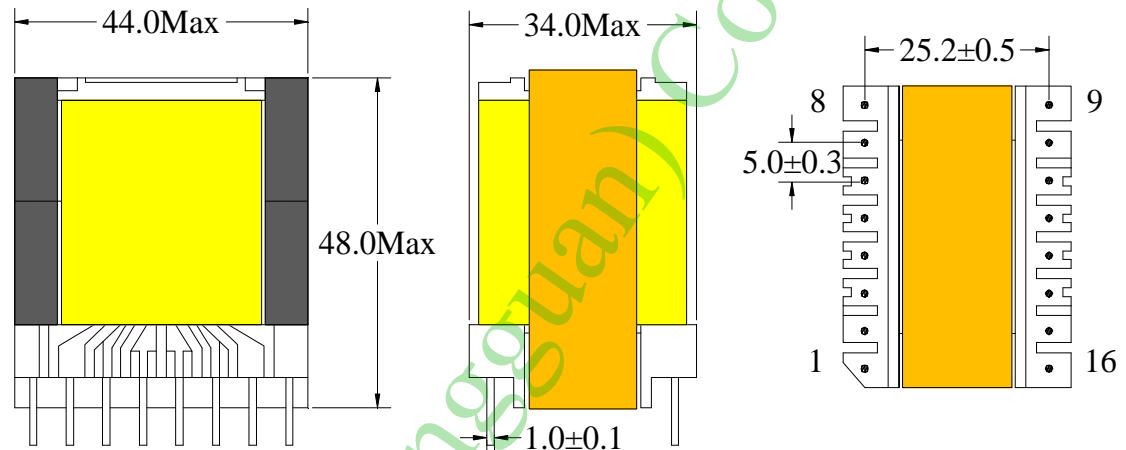


High-frequency transformer

ERL42 Series

Parameters/Dimensions:

ERL42 Type 1



Information:

Shape:ERL42

1 power:350W

2 Mounting Orientation: Vertical

3 Size: 44 (W) * 34 (L) * 48(H)

4 Effective Ae (mm²): 240.0

Note:

Bobbin type listed in the traditional style, transformer design parameters to customer needs or to inject prevail.

ERL series high-frequency transformer features:

Coupled good location, in the column for the round, easy winding and winding area increases, can be designed to power large and small leakage inductance of the transformer.

Uses:

Applied to the LLC resonant inductor, DC-DC converters, switching power supply adapter and other main transformer